

### SUNFIND High Performance 4.4XW System

Sunfind Solar Products developed our line of SUNFIND Off Grid High Performance Systems by only using industry leading components to produce the most advanced, reliable and cost effective system on the market. When off grid, efficiency and reliability are paramount and a SUNFIND High Performance System will give you the peace of mind knowing that your energy requirements are being supplied by the most advanced solar PV system on the market at the most competitive price possible. We have carefully designed and integrated all components to ensure a reliable, safe, and code compliant off grid PV system.

### Solar Array

The system comes with 18 Kyocera 245W PV modules. Kyocera's advanced cell processing technology and automated production facilities produce a highly efficient multicrystal photovoltaic modules. The conversion efficiency of the Kyocera solar cell is over 16% with 20-25 year output warranties.

KD 245GX

Weight	46.3 lbs
Dimensions:	65.4" x 39.0" x 1.8"
Power (rated):	245W
Peak Current	8.23A
Voltage:	MPPT Only



### PV Array Mount:

See Next Page

### Schneider XW Inverter System:

Sunfind Solar Products is excited to offer the Schneider XW Inverter system...all assembled and prewired!

System Includes:

- XW6048 Inverter/charger: 120 / 240 VAC
- 2 x XW 60A MPPT Charger Controller
- XW Power Distribution Panel: includes AC / DC Breakers
- XW AGS: Auto Gen Start Module and software
- XW System Control Panel
- All assembled, wired, programmed and tested by us!



### Battery Bank:

#### Option 1: Lead Acid Batteries: MAINTENANCE ITEM

SUNFIND High Performance Systems come standard with 16 L16 (370AH, 6V) wet lead acid batteries. This type of battery will require monthly maintenance, typically around 2-3 hrs, but is able to provide reliable, long term power for years to come. Average life: 8-10 years.



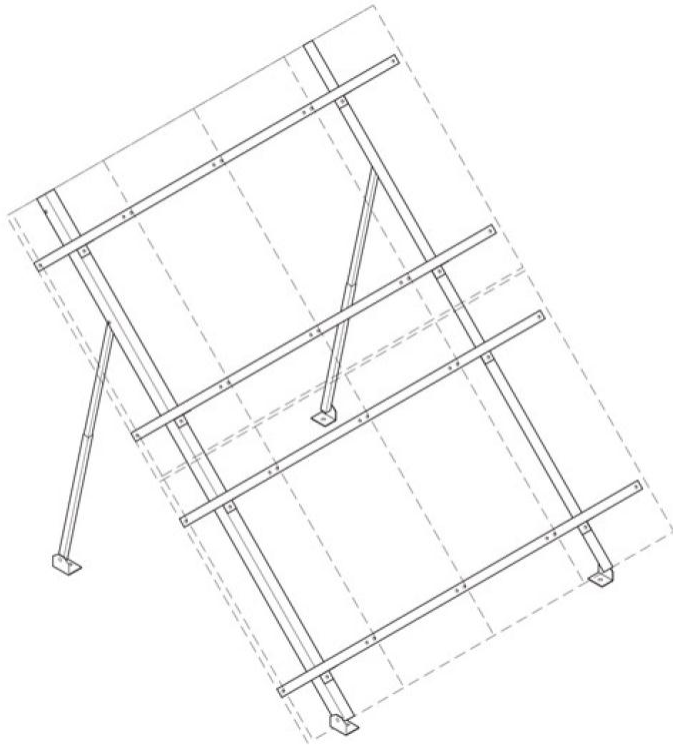
#### Option 2: AGM Batteries: FULLY SEALED, MAINTENANCE FREE!

These L16 (390AH, 6V) AGM batteries represent the latest in storage solutions. These batteries require less PV or generator time to charge and require no equalization or maintenance. Best solution. Average life: 8-10years.



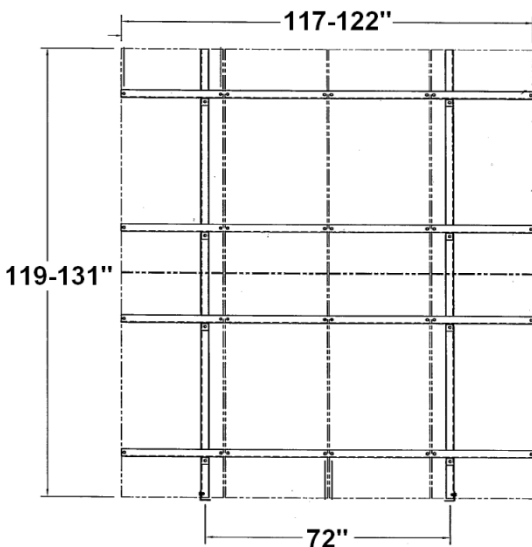
**The SUNFIND HP 4.4XW includes 3 PLP Two Tier Vertical Roof / Ground Mounts**

These mount allow the PV modules to be mounted in a portrait fashion.

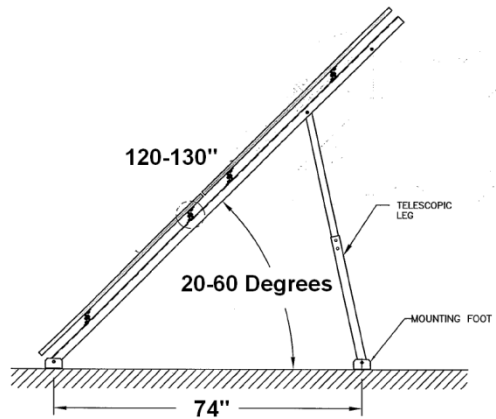


**BENEFITS**

- Flexible: This mounts can be placed on a roof, wall, railing or ground.
- Strong: can withstand up to 150 km/hr (90 mph) winds
- Adjustable between 0-60 degrees
- Require less horizontal space as the PV modules are stacked in two rows, portrait fashion
- Hold six (6) 245W PV modules



Front View



Side View

One of the major benefits of purchasing a SUNFIND HP System is that you receive the most advanced, efficient and reliable inverter system on the market. In addition, we completely assemble, wire, program and test each XW System before it leaves our facility. By purchasing such a complete system, installation and operation has never been easier and more reliable.

Schneider Electric's XW Inverter System is the latest in inverter technology. XW Inverter Systems provide industry leading reliability, functionality and efficiency in a cost effective manner. XW Inverter Systems are used in Residential, Commercial and Industrial applications, configured for either off grid (stand alone) or grid tie applications and have proven exceptionally reliable in off grid applications.

### **Complete system solution using modular components**

The XW System is comprised of manageable building blocks: XW Inverter/Chargers, Solar Charge Controller, Automatic Generator Start module, and System Control Panel. System Control Panel (SCP) allows easy configuration and prevents an accidental change of the parameters



### **What's included with a SUNFIND XW Inverter System:**

1. XW4024, XW4548 or XW6048 Inverter / Charger:



2. 60A, MPPT XW Charge Controller:



3. XW Power Distribution Panel (PDP)-Contains required AC/DC Disconnects & Wiring:



4. XW System Control Panel: Programming and Display!



5. XW Automatic Generator Start: Generator Automation!



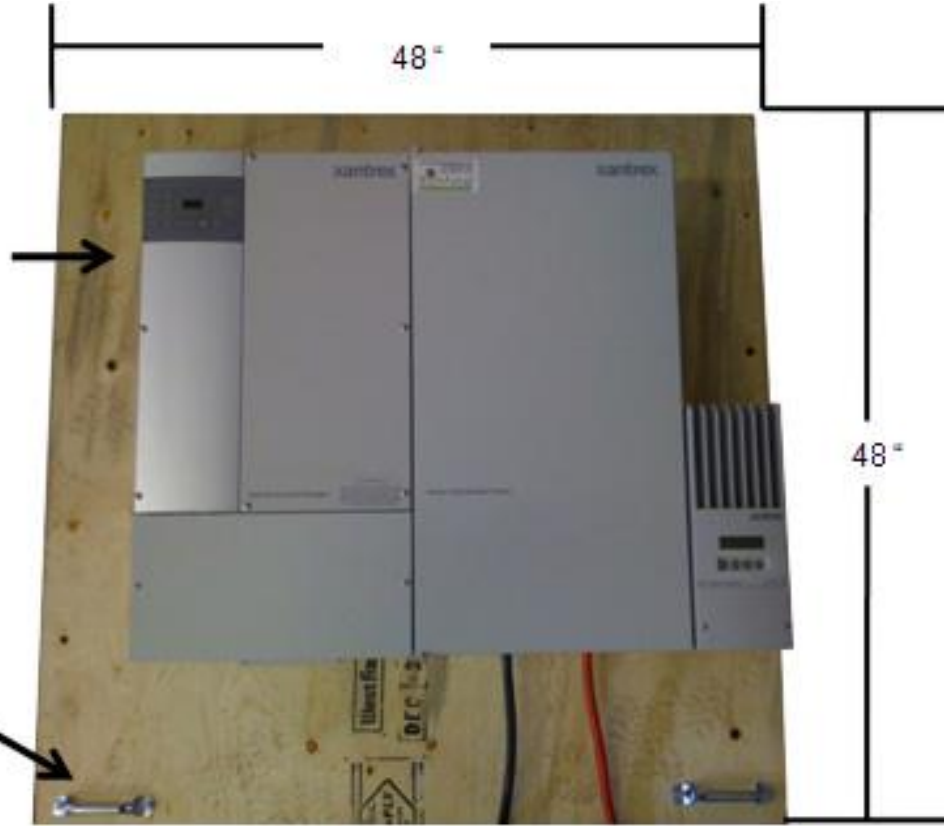
### **OPTIONAL REMOTE MONITORING - XW Communication Gateway**

The Gateway logs and transmits performance data such as:

- System power production
- Inverter specific power production
- Lifetime energy production; daily, weekly, monthly energy production graphs
- Inverter faults with date and time stamp



XW Inverter / Charger, XW Distribution Panel and XW MPPT Controller Mounted on a 3/4" plywood back board. XW System pre-assembled and pre-wired for quick and easy installation



Lift Handles Installed

Inverter Cables Installed

- 120/240-volt split-phase, true sine wave output. 120/240 volt input
- Unsurpassed surge capacity - Full 200% rated output
- Efficient, power factor corrected, high-current, multistage charging
- Certified to UL1741 and CSA for utility-interactive applications
- Easier and less expensive to install
- Local display on inverter shows output power, charge current and battery level...status at-a-glance
- Xanbus™ Network provides plug-and-play networkability

Sunfind Solar Products provide the XW Power System pre-assembled and pre-wired for quick and easy installation - no lengthy onsite assembly! XW Power System Includes:

- XW Inverter/Charger    · XW MPPT 60 Controller
- XW Distribution Panel    · XW System Control Panel
- XW Auto Gen Start

All XW Inverter Systems are pre-assembled by Sunfind Solar Products come pre-programmed and ready to work. With our know how, combined with extensive real word experience, you can be confident your system from Sunfind Solar Products is going to provide a reliable, economical solution to your energy requirements.

**SUNFIND HP4.4XW**

- 4.4 kW solar array with roof / ground mounting system
- XW6048 System: Inverter, Distribution Panel, Charge controller, Auto Gen Start, System Controller: Assembled
- 35.5 kW (740 AH @ 48VDC) battery bank with cables
- Turn-key system makes installation a breeze!
- Smallest system for a residential application with a average sized home (1600 sq/ft), plus additional buildings

**Option:**

Maintenance free AGM 390AH 6V Batteries

- Maintenance Free!
- No equalization or watering!
- Average life: 8 years



**Performance and Cost Calculations – NOTE: These calculations are derived @ 52 degrees North**

- Yearly Energy Production: 4,603 kWh (Monthly average: 383 kWh)
- Average Monthly Consumption: 356 kWh (Daily Average: 10.73 kWh)
- Peak Daily Summer Production: 18.56 kWh / Trough Daily Winter Production: 5.11 kWh
- Estimated Yearly Generator Run Time: 409 hrs / Expected Generator Life: 51 years
- Total Monthly System Cost over 21 years: \$195
- Solar PV Costs over 21 years: \$110
- Generator Monthly Cost @ 409 hrs per year: \$85
- Saves over \$36,000 worth of utility power purchases over 21 years, PLUS the cost of utility installation.

For a full system analysis based on location, please contact a SUNFIND Sales Representative.

The first step to successful off grid living is education. Not all PV systems are equal and overall system performance, cost and reliability will be determined by what components are used and how successful all these components are integrated together. Our systems have undergone rigorous design and testing to ensure all the components, from the PV modules to the batteries, and the dozens of components in between, will integrate and operate as a reliable, efficient PV System. Sunfind Solar Products prides ourselves on providing industry leading PV systems , backed by our expertise, and supported by our goal of exceptional customer support.

For additional education material, product information and/or pricing, please contact a SUNFIND solar professional today.

Corporate Address:

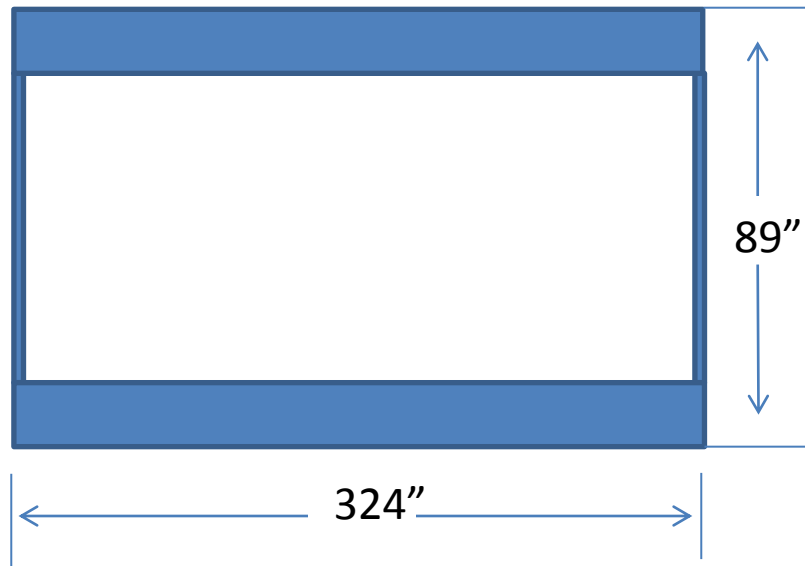
SUNFIND SOLAR PRODUCTS  
#20, 7471 Edgar Industrial Bend  
Red Deer, AB T4P 3Z5

Monday-Thursday  
7:30am - 4:00pm MST

Friday  
7:30am-3:00pm MST

Location: Please stop by and visit us.

## Steel Mounting Base for TTRGM6 PV Racking – Holds up to 3 units / 18 PV modules



This mounting base is a cost effective and reliable mounting base that allows the mounting of the PV array to earth. This base can either be supplied by Sunfind Solar Products or can be fabricated by the buyer. Please view all the diagrams with basic instructions throughout.

### Material List

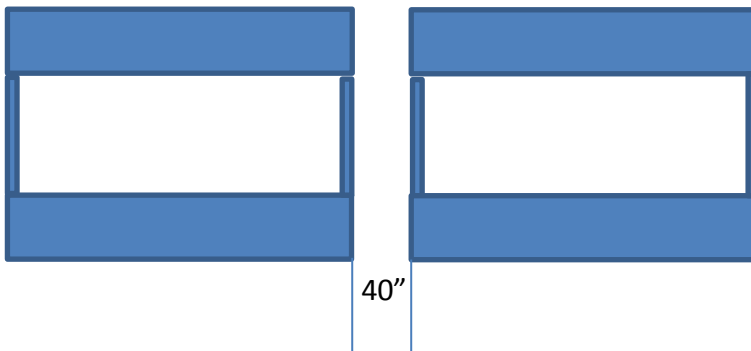
- |                              |                                 |
|------------------------------|---------------------------------|
| - 6" x 4" x 0.188 HSS:       | 2 @ 324" / 27' = 648" / 54'     |
| - 2" x 2" x 3/16 Steel Angle | 2 @ 77" / 6.42' = 154" / 12.83' |
| - 3" SCH 80 Steel Pipe       | 6 @ 120"/10' = 720" / 60'       |

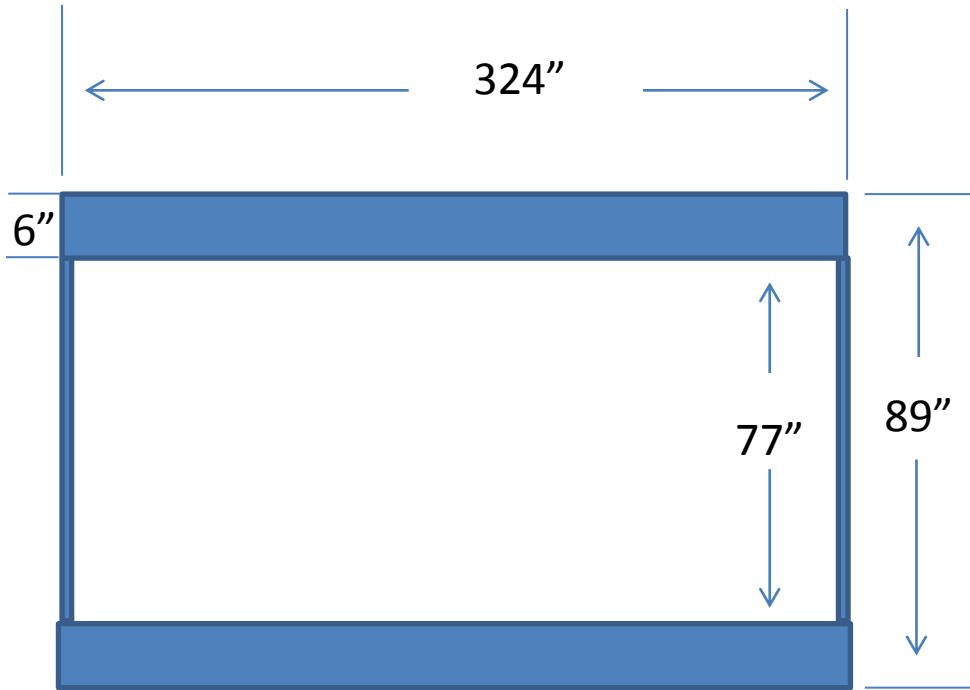
6" x 4" x 0.188 HSS Steel Tubing

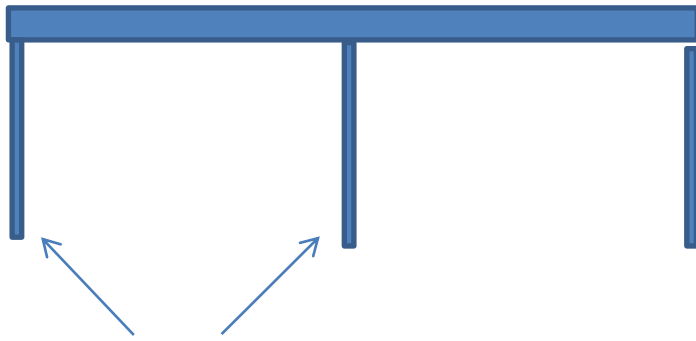


2" x 2" x 3/16" Steel Angle

- This represents one base piece.
- If more than 18 modules are required, an additional base piece can be installed.
- If multiple bases are installed, please note spacing.

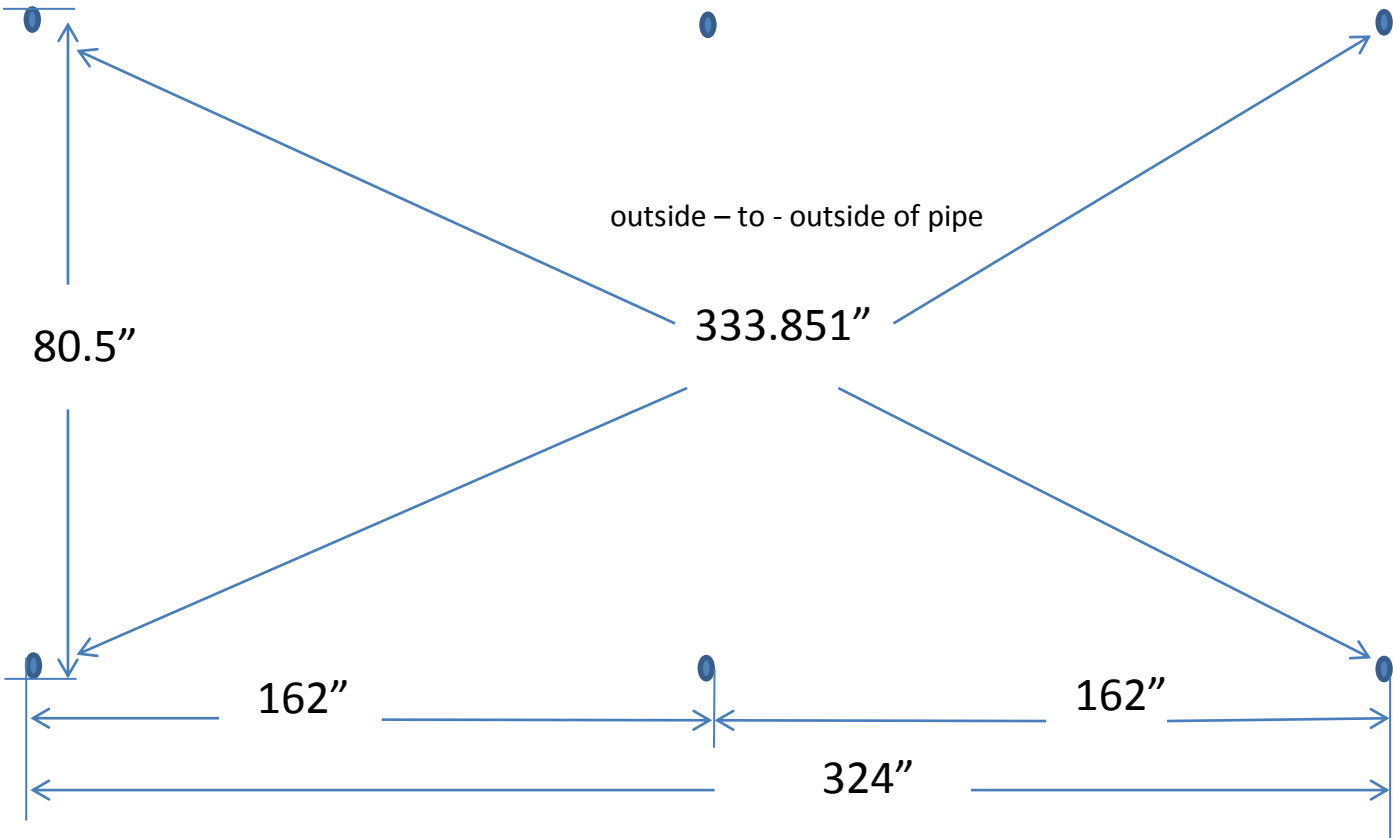


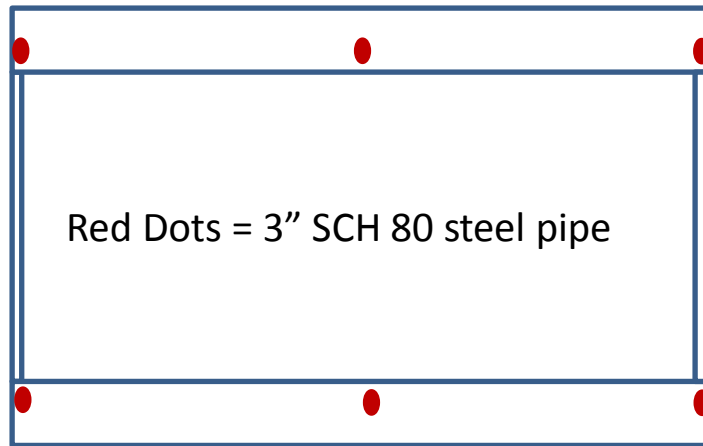




3" Schedule 80 Pipe – cut to 120"

- The pipe is secured into the ground via concrete or a hydraulic vibrating packer / post installer.
- The exact installation / securing method will depend on soil conditions
- Steel base is welded onto 3" SCH Pipe.





- The base can be supplied by Sunfind Solar Products or self fabricated by the buyer
- All bases supplied by Sunfind Solar Products are of mild steel and non-painted
- Bases fabricated by the buyer can be build from either steel or wood, which are both suitable if designed correctly
- Installation of the base is the responsibility of the construction contractor and/or the buyer of the PV system.
- **DOUBLE CHECK ALL MEASUREMENTS AND CALCULATIONS**